

# FG10121

**FIAMM**  
+-----+  
SSLA Products  
**FG series**

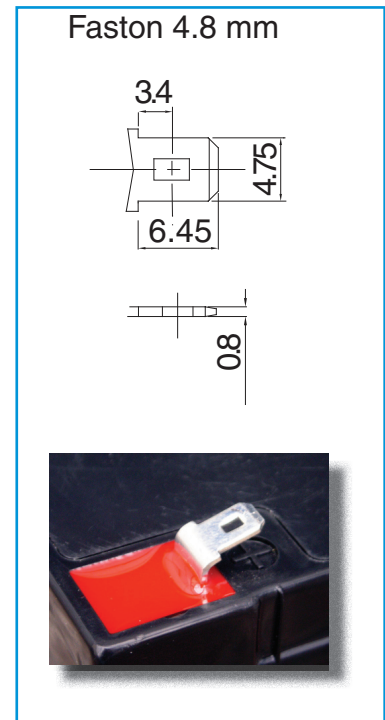
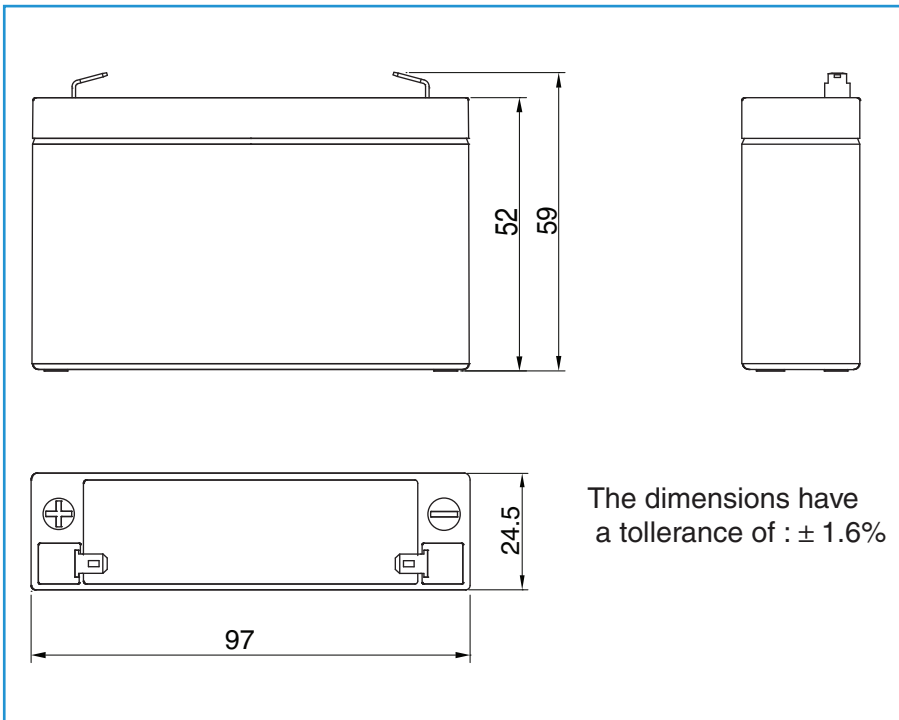
FG10121 is a general purpose application battery. Within the FG range Fiamm offer 6V and 12V monoblocs at various amp hour capacities enable the right battery selection for each requirement. FIAMM is a Manufacturer of VRLA batteries; and is supported by a dedicated sales network with market knowledge and experience of small sealed lead acid battery applications.

**6 Volt  
1.2 Ah**

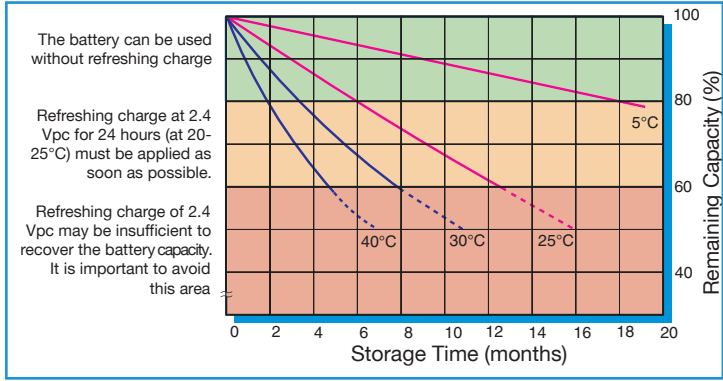


## Features

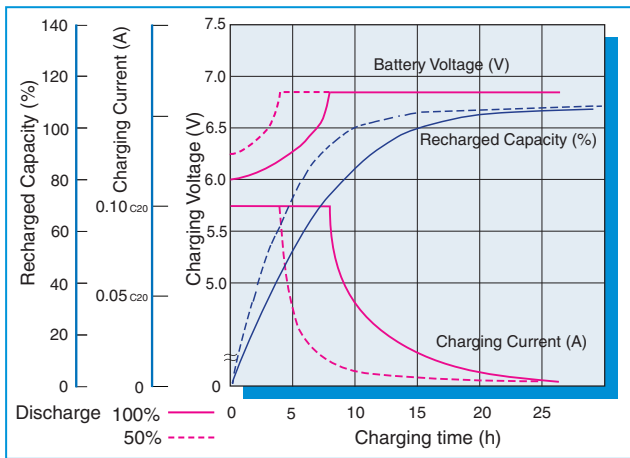
Nominal Voltage	6 Volt
Nominal Capacity	1.2 Ah at 20 hours rate to 1.75 Vpc at 25 °C
Float charging voltage	6.75 - 6.90 V/bloc at 25 °C
Boost charge voltage	7.20 - 7.50 V/bloc at 25 °C
Float voltage compensation	-18mV/°C
Maximum charging current	0.30 A
Case	ABS with HB flammability rate (according UL94)
Internal resistance	65.8 mΩ in full charged condition
Weight	0.315 kg
Dimensions	L x W x H (TH): 97 x 24.5 x 52 (59)
Operative temperature range	-20 °C to 50 °C
Storage	As batteries lose part of their capacity, during storage, due to self discharge. FIAMM recommends FG range of batteries can be stored for 6 months at an ambient temperature of 20 and 25 °C (see attached graph on reverse). Longer storage requires a recharge. This should be carried out in line with Fiamm Sealed Power recommended method; 2.4 V/cell for no longer than 24 hours at 20 °C



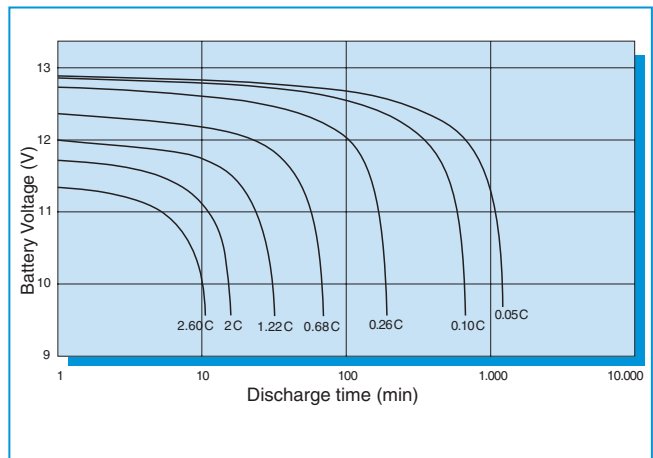
### Capacity loss during storage at various temperatures



Battery Voltage and Charge Time for Standby Use (at 25°C)



Discharge curves at different current / final voltage (at 25°C)



Constant Current discharge table (Amperes)

end voltage	5 min	10 min	15 min	20 min	30 min	45 min	1 hour	2 hour	3 hour	5 hour	10 hour	20 hour
4.80 V	3.90	2.72	2.04	1.65	1.16	0.84	0.67	0.40	0.30	0.20	0.11	0.06
4.95 V	3.85	2.70	2.03	1.64	1.16	0.84	0.67	0.40	0.29	0.20	0.11	0.06
5.01 V	3.79	2.66	2.01	1.62	1.15	0.84	0.66	0.40	0.29	0.20	0.11	0.06
5.10 V	3.66	2.59	1.97	1.59	1.14	0.83	0.66	0.40	0.29	0.20	0.11	0.06
5.25 V	3.40	2.43	1.88	1.52	1.12	0.82	0.65	0.39	0.29	0.19	0.11	0.06
5.40 V	3.15	2.27	1.77	1.44	1.07	0.77	0.61	0.36	0.26	0.18	0.11	0.06

Constant Power discharge table (Watts per bloc)

end voltage	5 min	10 min	15 min	20 min	30 min	45 min	1 hour	2 hour	3 hour	5 hour	10 hour	20 hour
4.80 V	19.5	14.2	10.8	8.84	6.34	4.69	3.77	2.29	1.70	1.15	0.65	0.36
4.95 V	19.3	14.1	10.8	8.81	6.33	4.69	3.77	2.28	1.70	1.15	0.65	0.36
5.01 V	19.0	13.9	10.7	8.73	6.31	4.67	3.75	2.28	1.69	1.15	0.65	0.36
5.10 V	18.4	13.5	10.5	8.57	6.26	4.64	3.73	2.27	1.68	1.14	0.65	0.36
5.25 V	17.1	12.7	10.1	8.27	6.16	4.60	3.69	2.25	1.67	1.13	0.64	0.36
5.40 V	16.0	12.0	9.54	7.87	5.95	4.33	3.49	2.07	1.55	1.07	0.62	0.35